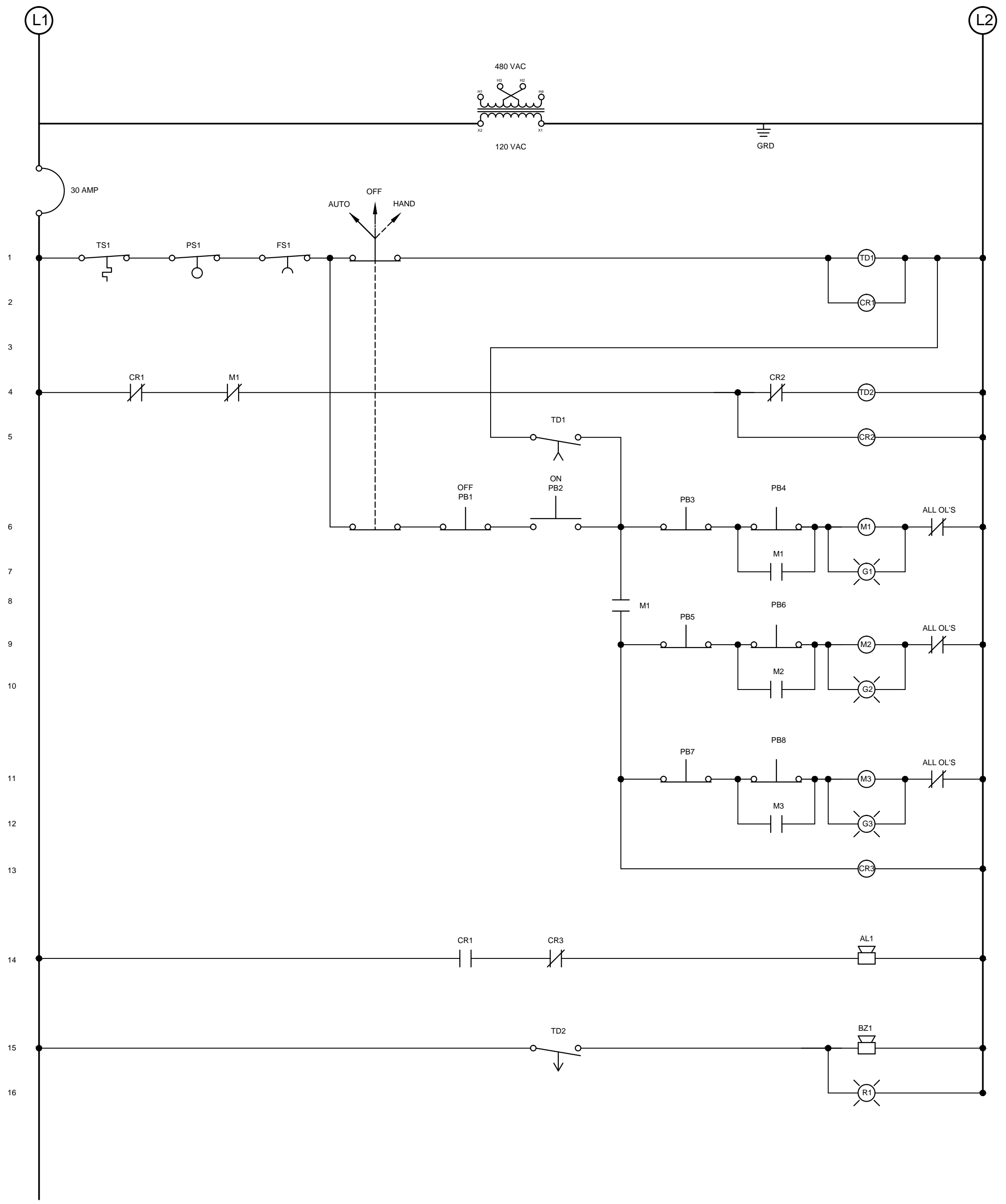


REVISIONS			
REV	DESCRIPTION	DATE	APPROVED



LEGEND		
SYMBOL	DESCRIPTION	QTY
	DUAL-VOLTAGE TRANSFORMER	1
	GROUND	1
	NC TEMPERATURE SWITCH	1
	NC PRESSURE SWITCH	1
	NC FLOAT SWITCH	1
	AUTO OFF HAND SELECTOR SWITCH	1
	TIME DELAY RELAY	2
	CONTROL RELAY	3
	NC CONTACT RELAY	3
	NC MOTOR CONTACT	1
	NO	1
	NC PUSHBUTTON	7
	NO PUSHBUTTON	1
	MOTOR STARTER	3
	GREEN PILOT LIGHT	3
	ALL OVERLOADS	3
	NO MOTOR CONTACT	4
	NO CONTACT RELAY	
	ALARM	1
	BUZZER	1
	RED PILOT LIGHT	1
	NO	1
	CIRCUIT BREAKER	1

(5)
TIME SET
=10 SEC

(4,13)

(14)
TIME SET
=10 SEC

(4)

(4,7,8)

(9)

(11)

(13)

DRAWN BY		REED WEINSTOCK	
JOHNSON COUNTY COMMUNITY COLLEGE DRAF 250 ELECTRICAL DRAFTING			
SIZE	DATE	LAB NO	GRADE
C	12/4/14	LAB 17 - DESIGN	
SCALE	1:1	INST. DAMON FEUERBORN	SHEET 1 OF 1